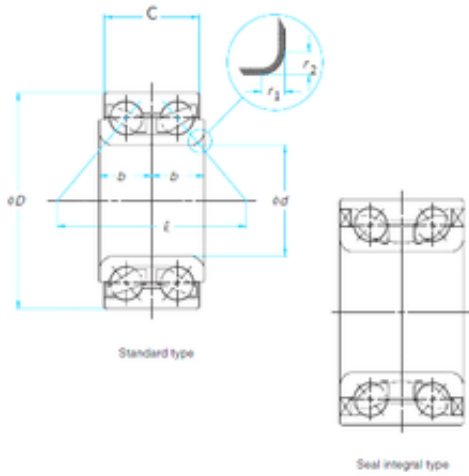




## Wheel Bearing Front Timken 510071 fits 98-00 Lexus LS400

Bearing No. 510071



Size	35x77x42 mm
Bore Diameter	35 mm
Outer Diameter	77 mm
Width	42 mm
d	35 mm
D	77 mm
B	42 mm

510071 Bearing 2D drawings and 3D CAD models